

Catalog Number	
Notes	Type



## ECS SERIES

*Low Profile*

*Recessed*

*6" Aperture*

### Description:

#### Mounting Frame

- 20 ga. galvanized steel.
- Accommodates ceilings up to 1" thick.
- Push-in/twistout rotoclips hold reflector flush to ceiling.

#### Junction Box:

- 14 ga. galvanized steel.
- Rated for 8 #12 AWM through branch circuit wires suitable for 90°C, for end of run 75°C.
- Quick release "L" shaped cover for access to wiring.

### Mounting Bars:

- Die-formed steel, 16 ga.
- Four bars, 13" long, extend to 27", permit off-center mounting.
- Bars rotate 90° and lock in both directions.
- Integral nailer for wood joists.
- Locking tabs for T-bar runners.

### Thermally Protected Ballast:

- Single 2 lamp magnetic or universal voltage electronic, Class-P Rated. Insulation must be kept 3" away from fixture sides and wiring compartment and must not be placed above fixture as to entrap heat.

### Socket:

- Molded thermoplastic; prewired with #18 AWM leads to 4" x 3 1/2" x 2" junction box.

### Reflector:

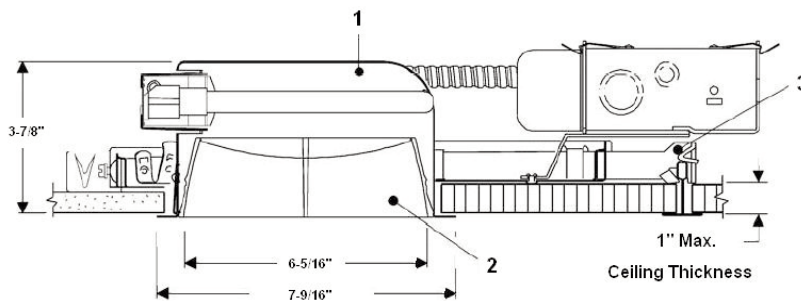
- 18 ga. Hydroformed aluminum.
- White gloss finish on inside and trim flange.
- Various reflector inserts are available, including specular clear, gold, white baffle, black baffle (powder painted, matte white).

### Listing/Code Compliance:

- UL (Suitable for Damp Locations)

### Socket Housing:

- 22 ga. galvanized spring steel.
- Snap-in quick assembly for precise lamp location.



## ORDERING INFORMATION

Complete Fixture consists of Reflector Trim & Frame-in Kit. Select each separately.

Frame-in Kit		Ballast	Voltage	Lamp Type		Electrical	
New Work	Remodel					Input Wattage	Input Current
ECS213	ECR213	NPF Magnetic	120V	2 Pin (G x 23)	13W Twin Tube	35W	.600A
ECS213H	ECR213H	HPF Magnetic	120V	2 Pin (G x 23)	13W Twin Tube	32W	.280A
ECS213H7	ECR213H7	HPF Magnetic	277V	2 Pin (G x 23)	13W Twin Tube	32W	.160A
ECS218E	ECR218E	HPF Electronic	120V/277V	4 Pin (G24q-2)	18W Quad Tube	40W	.34/.15A
ECS226E	ECR226E	HPF Electronic	120V/277V	4 Pin (G24q-3)	26W Quad Tube	56W	.47/.21A

Add suffix "EM" for Emergency Ballast option.

### Reflector Trims

Alzak Cone	Step Baffle	Cross Blade	Fresnel Lens	Enclosed Diffuser	Wall Washer
ECT570 Clear	ECT349 Black	ECT340 White	ECT343	ECT342	ECT350
ECT580 Gold	ECT349WB White				



Office: 718-418-5600 • Fax: 718-418-5618

57-10 49th Place • Maspeth, N.Y. 11378

www.encorelighting.com

P/N75-1024 (08/10)